



ARBOR NANTUCKET LEGACY WHITE

Installation requires two people.
Read instructions carefully before beginning assembly.

Tools you will need:

- Hammer
- Screwdriver
- Stool or short ladder

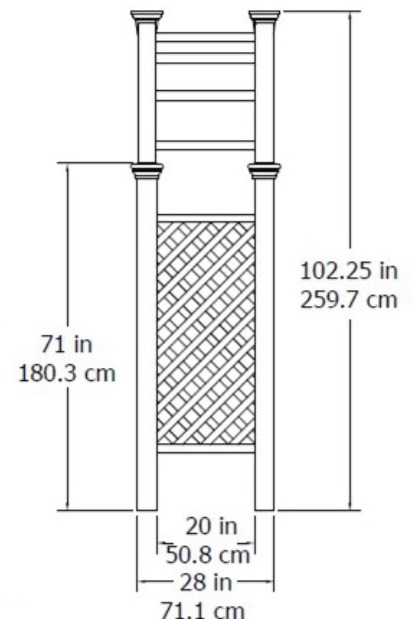
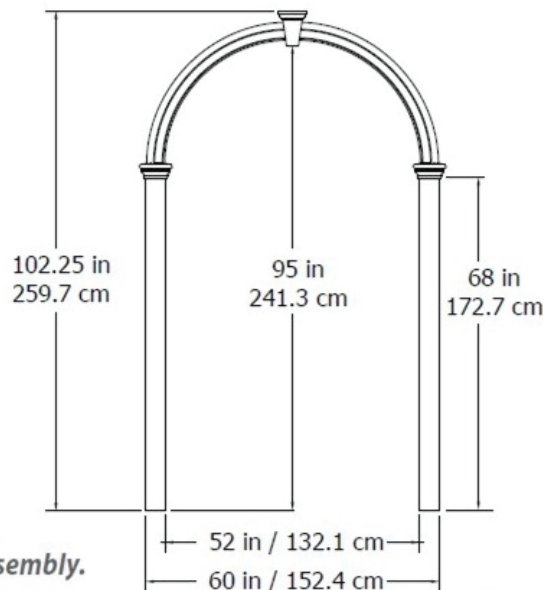
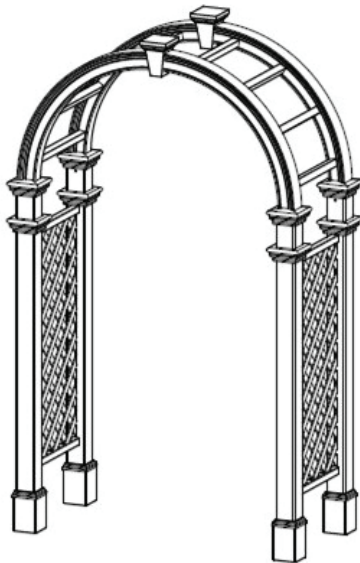
When assembling components, place on a non-abrasive surface to avoid scratching.
Position bases where arch is required. Ground/surface should be level.
Lift and place side panels over posts on the base. Ensure posts and side panels are level.
Lift and place arch into top posts of side panels.
Screw arch top to side panels.

OUTDOOR USE: Complete a final check both horizontally and vertically before hammering in stakes.
BEFORE HAMMERING IN STAKES, CHECK THERE ARE NO UNDERGROUND HAZARDS OR SPRINKLER SYSTEMS.

For stake removal, use a hammer & block of wood to lever the stakes out.

INDOOR USE: Do NOT use stakes.

SPECS



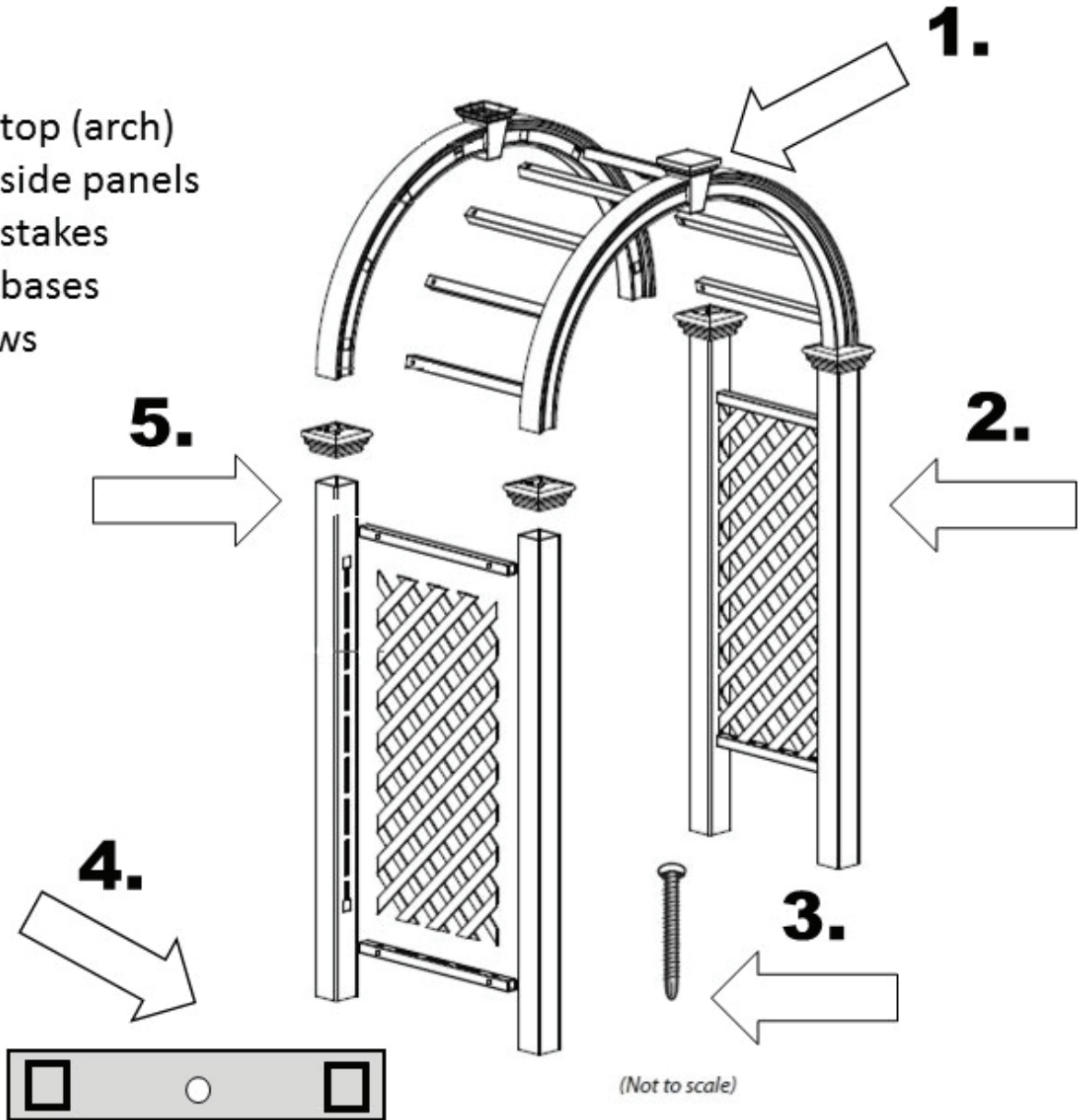
Please read through before starting assembly.



ARBOR NANTUCKET LEGACY WHITE

COMPONENTS

1. One top (arch)
2. Two side panels
3. Two stakes
4. Two bases
5. Screws



CAUTION



You should not need to use excessive force when assembling components
NEVER hammer stakes into the ground without first checking for underground hazards or sprinkler systems
Do NOT locate arch in a high wind or waterlogged area